

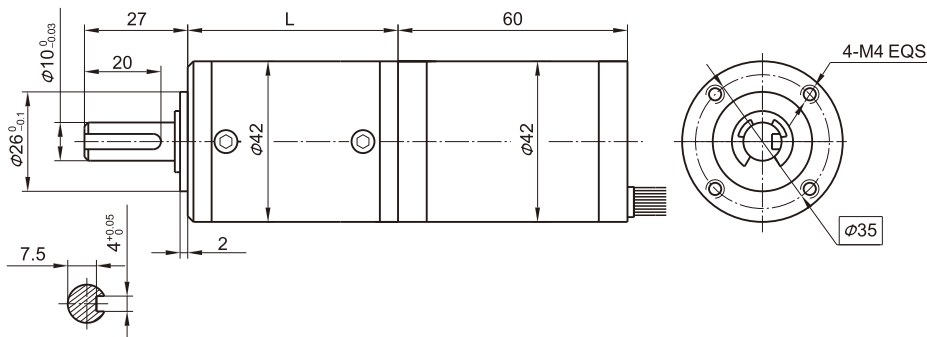
无刷直流行星齿轮减速电机(内齿圈材质: 金属)

BLDC Planetary Gear Motor (Ring Gear Material: Metal)

**42JXGT200K/42ZWN60**  $\Phi 42$  行星减速器, 允许转矩范围: 2N.m~20N.m  
42mm OD Planetary Gearbox,  
Permissible Load Range: 2N.m~20N.m



### ● 外形和安装尺寸 Dimensions



### ● 无刷电动机主要技术参数 Brushless Motor Technical Data

电机型号 TYPE	极数 Number of poles	相数 Number of phase	额定电压 Rated voltage VDC	空载转速 No-load speed r/min	额定转速 Rated speed r/min	额定转矩 Rated torque mN.m	额定功率 Rated power W	峰值扭矩 Peak torque mN.m	峰值电流 Peak current A	电阻 Line to line resistance ohms	电感 Line to line inductance mH
42ZWN60-2430	8	3	24	3000	2100	50	11	150	2.6	6.0	6.4

### ● 无刷行星齿轮减速电机主要技术参数 Brushless Gear Motor Technical Data

配置42ZWN60-2430无刷直流电机 (42ZWN60-2430 BLDC Motor)

减速比 Reduction ratio	65	83	83	247	247	403	515	944
减速级数 Number of gear trains	3	3	3	4	4	4	4	5
减速器长度(L) Length(L) mm	58.3	58.3	58.3	68.6	68.6	68.6	68.6	78.9
空载转速 No-load speed r/min	46	36	36	12	12	7.4	5.8	3.2
额定转速 Rated speed r/min	32	25	25	9	9	5.2	4.1	2.2
额定转矩 Rated torque N.m	2.4	3.0	3.0	8.0	8.0	13	17	20
最大瞬间允许负载 Max. permissible load in a short time N.m	50	50	50	60	60	60	60	60

### ● 接线方式 Wire Diagram

U	V	W	Vcc	Ha	Hb	Hc	GND
红 Red	棕 Brown	黑 Black	蓝 Blue	黄 Yellow	棕 Brown	红 Red	绿 Green
22AWG UL1007			26AWG UL1007				