

PM DC Spur Gear Motor

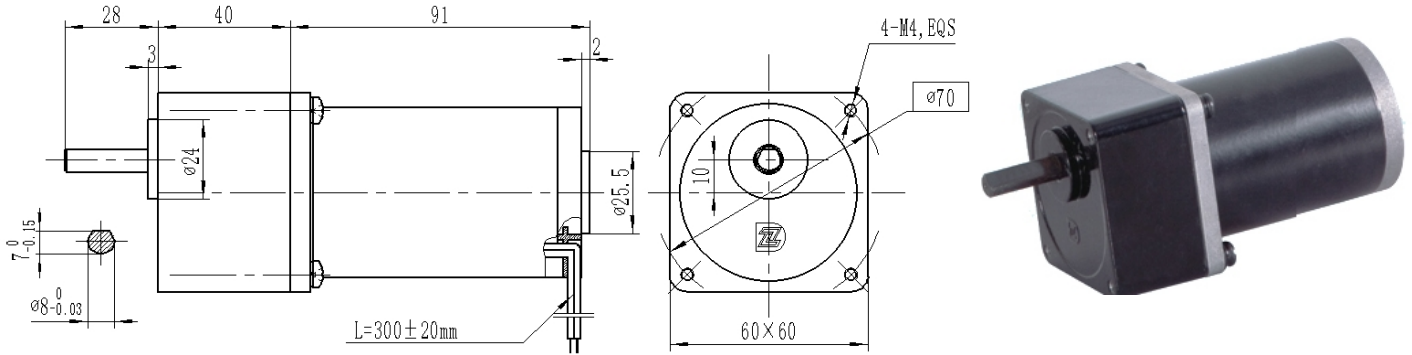
60JB50K/52ZY85

Permissible Load Range: 5.0N.m

Description of The Product

□60mm integrated gearbox, with rated torque up to 5.0N.m, alloy constructional steel gears, all equipped with ball bearings

Dimensions



Motor Technical Data

电机型号 TYPE	额定电压 Rated voltage VDC	空载转速 No-load Speed r/min	空载电流 No-load current A	额定转速 Rated speed r/min	额定转矩 Rated torque mN.m	输出功率 Output power w	额定电流 Rated Current A	堵转力矩 Stall torque N.m	堵转电流 Stall current A
52ZY85-2430	24	3000	0.4	2550	90	20	2.0	0.43	7
52ZY85-2440	24	4000	0.6	3400	110	35	2.5	0.60	12

Gear Motor Technical Data

52ZY85-2430 DC Motor

减速比	Reduction ratio	3	5	7.5	10	12.5	15	25	30	50	75	90	100	120
减速级数	Number of gear trains	2	2	2	2	2	2	3	3	3	4	4	4	4
减速器长度 (L)	Length(L) mm	32	32	32	32	32	32	40	40	40	40	40	40	40
空载转速	No- load speed r/m n	1000	600	400	300	240	200	120	100	60	40	33	30	25
额定转速	Rated speed r/min	850	510	340	255	204	170	102	85	51	34	28	25	21
额定转矩	Rated torque N.m	0.22	0.35	0.44	0.73	0.9	1.1	1.6	1.9	3.2	4.4	5.3	5.9	7.1
最大瞬间允许负载	Max. permissible load in a short time N.m	2.5	2.5	2.5	2.5	2.5	2.5	5.0	5.0	5.0	10	10	10	10
转 向	Direction of rotation	ccw	ccw	ccw	ccw	ccw	ccw	cw	cw	cw	ccw	ccw	ccw	ccw

52ZY85-2440 DC Motor

减速比	Reduction ratio	3	5	7.5	10	12.5	15	25	30	50	75	90	100
减速级数	Number of gear trains	2	2	2	2	2	2	3	3	3	4	4	4
减速器长度 (L)	Length(L) mm	32	32	32	32	32	32	40	40	40	40	40	40
空载转速	No- load speed r/m n	1333	800	533	400	320	266	160	133	80	53	44	40
额定转速	Rated speed r/min	1133	680	453	340	272	226	136	113	68	45	38	34
额定转矩	Rated torque N.m	0.26	0.44	0.66	0.89	1.1	1.3	2.0	2.4	4.0	5.4	6.5	7.2
最大瞬间允许负载	Max. permissible load in a short time N.m	2.5	2.5	2.5	2.5	2.5	2.5	5.0	5.0	5.0	10	10	10
转 向	Direction of rotation	ccw	ccw	ccw	ccw	ccw	ccw	cw	cw	cw	ccw	ccw	ccw

Motor Characteristic Figure

